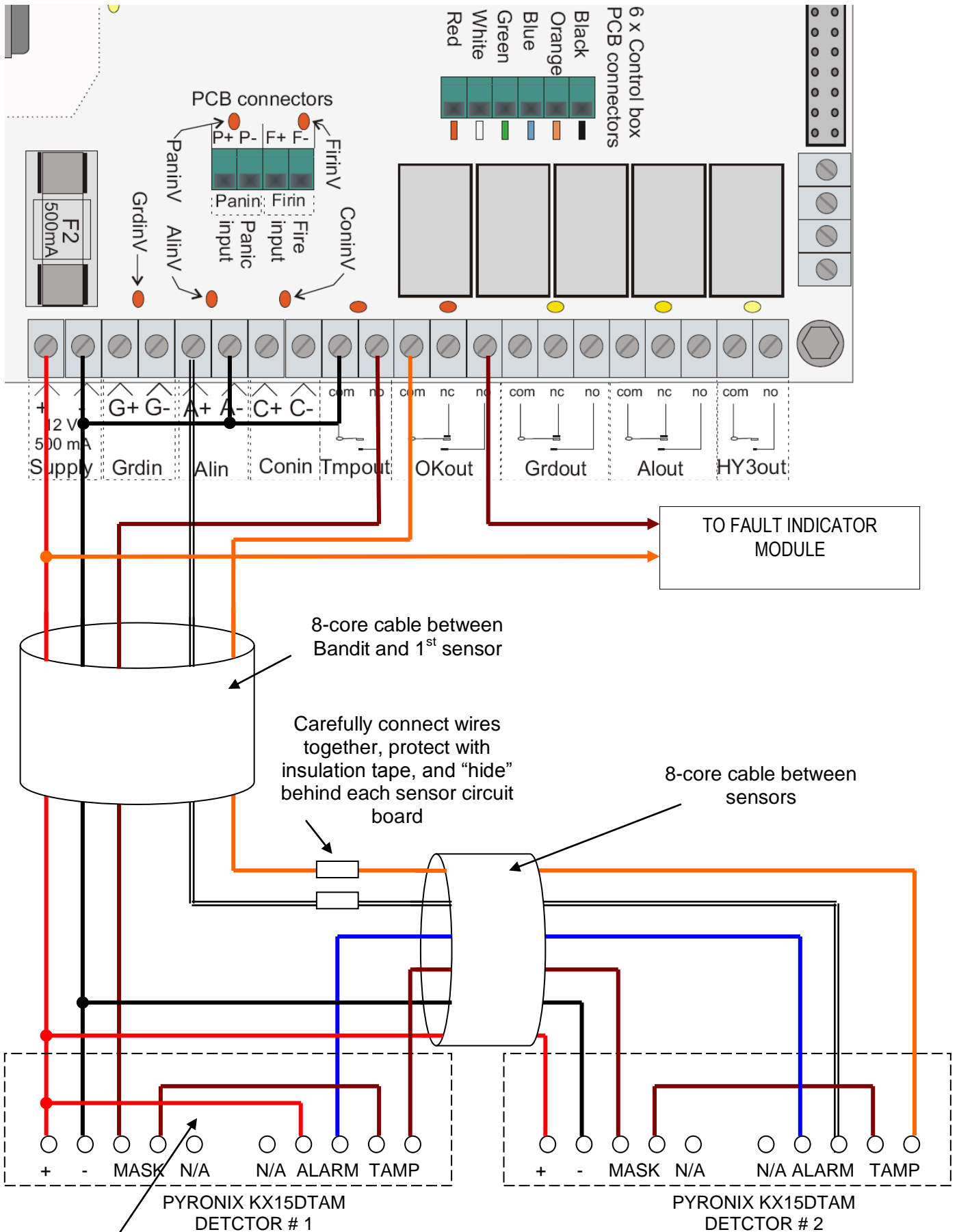


BANDIT VERSION 3 - STAND ALONE WIRING – SENSOR “ANTI-MASK”, “TAMPER” AND “ALARM” WIRING CONNECTIONS FOR PYRONIX KX15DTAM SENSORS



Easiest to introduce 12 volts into “alarm” wiring circuit at first sensor, as shown